

# SVJWT Battery Charge Meter



## ■ Description

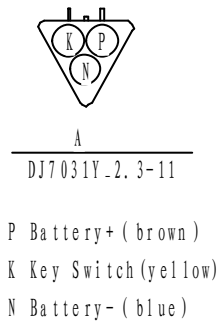
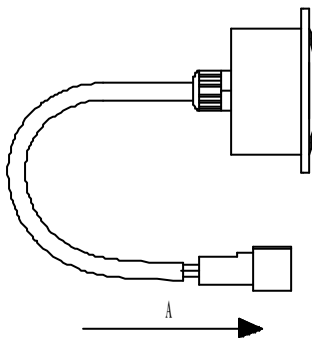
ipBDI is a high cost performance, easy to install Battery Chargemeter (BDI). It is completely solid state and provides a reliable, accurate, and easy to read display of battery state-of-charge.

This battery chargemeter is ideal for golf cars, hunting buggies, commercial leaning equipment, mobility aids, electric bicycles and other similar equipments.

## ■ Features

- ✓ A 10-bar high light LED displays the state of charge successively, bar by bar.
- ✓ At 70% depth of discharge, a flashing LED signals an “energy reserve” alert.
- ✓ At 80%, alternately flashing LEDs provides an “empty” status warning.
- ✓ It is compact and easy to install.
- ✓ Recognizes improperly charged battery.
- ✓ Key switch activated LED display.

## ■ Terminals and Wiring



## ■ Specifications

System Voltages:	12V, 24V, 36V, 48V, 60V, 72V
Operating Voltage:	±25% of normal voltage
Operating Temperature:	- 20°C to +75°C
Storage Temperature:	- 40°C to +90°C

Environmental Enclosure:	IP46
Shock & Vibration:	SAE J 1378
Case Material:	ABS KJW

## ■ Reset Conditions

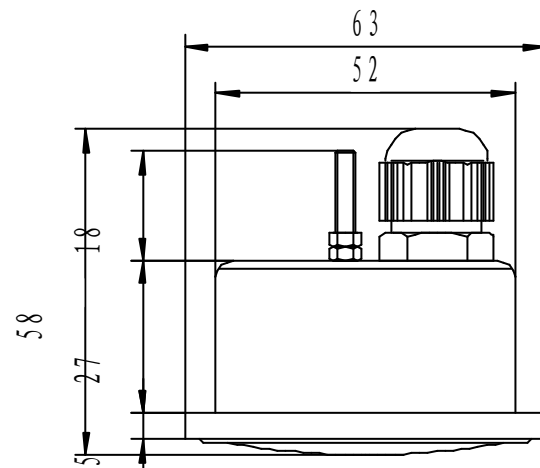
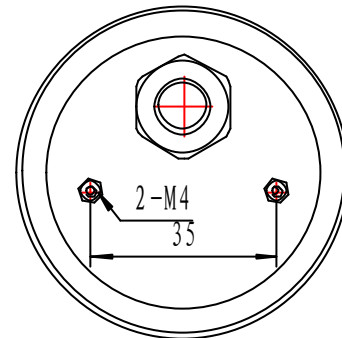
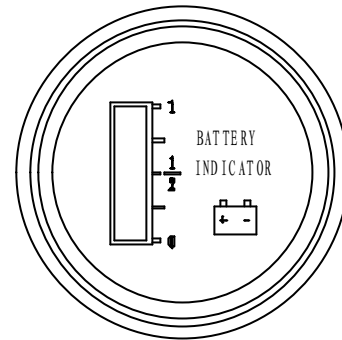
### Battery Charging Reset (BCR)

During charging, the BDI will light LED bar by bar according to the increasing battery capacity, the BDI will reset to the full state when the BDI measures the voltage per cell up to 2.35 volts or higher.

### Open Circuit Reset (OCR).

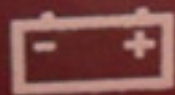
Upon reconnection of a battery, the BDI will reset to the full status if it measures 2.09 volts per cell or higher.

## ■ Installation Size(unit: mm)





BATTERY  
INDICATOR





BATTERY  
INDICATOR